

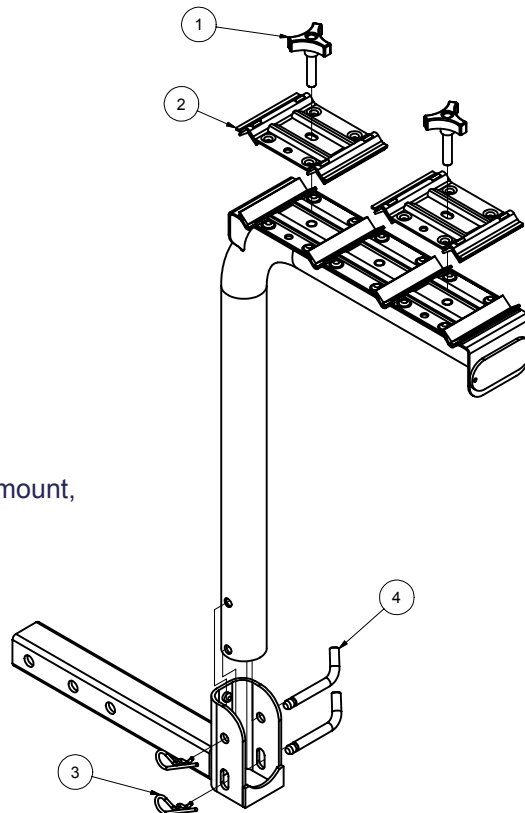


18019 4 PLACE BIKE RACK (2" RECEIVER)

WARNING

DO NOT EXCEED LOWER OF VEHICLE MANUFACTURERS TONGUE WEIGHT RATING OR HITCH TONGUE RATING.

Parts List			
ITEM	QTY	PART NUMBER	DESCRIPTION
1	2	CM-18019-K	PLASTIC KNOB
2	2	CM-18019-TP	.109" TOP PLATE
3	2	CM-18019-C	1/2" HITCH PIN CLIP
4	2	CM-18019-P	1/2" HITCH PIN



INSTRUCTIONS:

- 1) Remove bike rack from box and bag. Un-pin the bottom receiver mount, rotate around 180 degrees and re-pin as shown.
- 2) Insert the assembled bike rack into your receiver hitch.
- 3) Fit CURT bike rack as close to vehicle as possible.
- 4) Secure bike rack with a hitch pin and clip (sold separately).
- 5) To remove top plates undo the two threaded knobs. Place the bike frame tubes into rack grooves so they are balanced.
(sloping top tube bikes may sit at an angle).
- 6) After placing bikes on rack, replace top plates and tighten threaded knobs.
(Note: Periodically check tightness of knobs during use.)
- 7) To prevent the front wheel and handle bar from moving during transport, we recommend a nylon strap or standard bungee cord, routed through the wheel spokes and around the vertical tube of the bike frame.
- 8) To lock bikes into your CURT bike rack, attach a standard padlock through the holes in the top plates. We also recommend running a cable from the padlock through the bike wheels. This will ensure that quick release wheels are not removed. Your CURT bike rack may also be locked to the tow hitch with a padlock or locking pin if desired.

Note: 1) Minimum ground clearance to the base of the rack should be 14 inches.

2) Ask your retailer about locking hitch pins.

Mounting your CURT bike rack on a trailer or 5th wheel:

- A) Purchaser is advised that the load created by the rack or bicycles may exceed the strength of the trailer hitch, 5th wheel bumper or other mounting location. Failure through improper mounting will void rack warranty.
- B) The recommended 14" ground clearance is not sufficient on trailers or 5th wheels. Ground clearance must exceed 15" and will vary upon application. Damage to bicycles or rack due to ground clearance problems on trailers or 5th wheels is not covered by warranty.

ONE YEAR WARRANTY

This product is warranted for a period of one year from date of purchase. The warranty provides for the repair or replacement of the bike rack at the discretion of CURT Manufacturing. CURT Manufacturing does not warranty any product used on the back of a trailer or fifth wheel.