

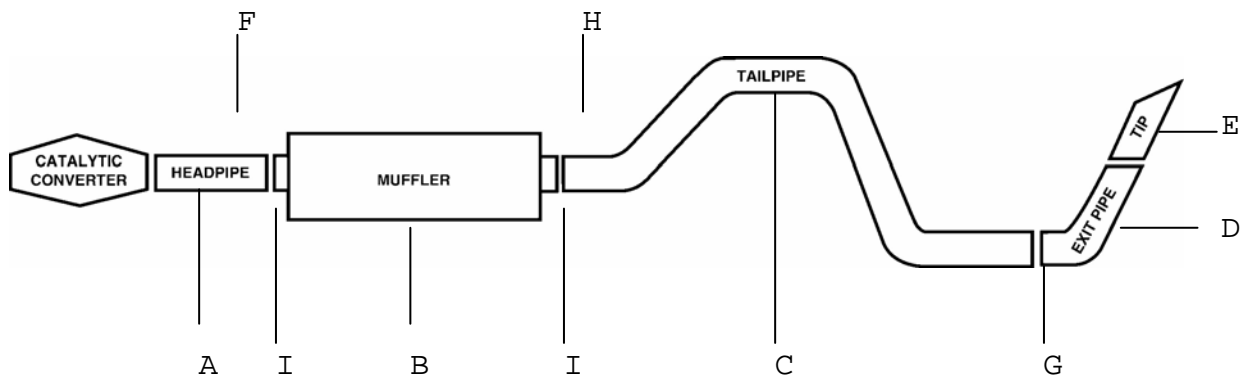


INSTRUCTION MANUAL

CAT-BACK SINGLE EXHAUST

94-95 CHEVY TRUCK 5.0L-5.7L 4WD STANDARD CAB, LONG BED

PART # 315574L



ITEM	PART #	QTY	DESCRIPTION
A	50036-1	1	3" X 36" HEADPIPE W/FLANGE#GP-105
B	788025	1	SUPERFLOW MUFFLER
C	50030R	1	3" OVERAXLE TAILPIPE
D	50032R	1	3" TURNOUT PIPE
E	500360	1	3-1/2" STAINLESS STEEL TIP
F	500448	1	O.E. L-HANGER
G	500442	1	O.E. HANGER
H	500441	1	O.E. HANGER
I	OHD300	2	3" CLAMP

Thank you for purchasing our GIBSON PERFORMANCE EXHAUST SYSTEM for your vehicle. If you need further assistance, please do not hesitate to call our Technical Department at (800) 528-3044, Monday through Friday, 8:00 am to 5:00 pm. 0102

EXHAUST INSTALLATION #315574L

WHEN INSTALLING THIS EXHAUST SYSTEM MAKE SURE TO USE THE PROPER SAFETY PRECAUTIONS. USE JACK STANDS WHEN UNDER THE TRUCK, SET PARKING BRAKE, BLOCK TIRES, AND USE SAFETY GLASSES AND GLOVES. DO NOT WORK WITH HOT PIPES!

1. Raise vehicle and support with stands. Unbolt stock flange behind the rear of the converter. Use jack stands to support converter so it won't drop. Remove stock hangers leaving all rubber mounting grommets in place. Cut the stock tailpipe for easy removal.
2. Lay out the GIBSON EXHAUST SYSTEM on the floor so it looks like the drawing.
3. Connect headpipe to the stock flange behind the converter.
4. Connect muffler with inlet towards the converter to the headpipe. Use a jack stand to support the muffler and connect clamp.
5. Install the overaxle tailpipe, connect to the muffler and clamp.
6. Connect turnout exit pipe to the rear of overaxle pipe. Roll turnout pipe until you have it at the correct angle for your truck and connect clamp.
7. Install stainless steel tip. Clamp down. To clean stainless tip use a scott brite pad and any stainless steel or aluminum cleaner.
8. When you have everything in place, firmly tighten all bolts and clamp down securely.

MAKE SURE YOU HAVE A 1" CLEARANCE ON ALL PIPES FROM ALL RUBBER BRAKE LINES, FUEL LINES, SHOCK BOOTS, TIRES, ETC.