



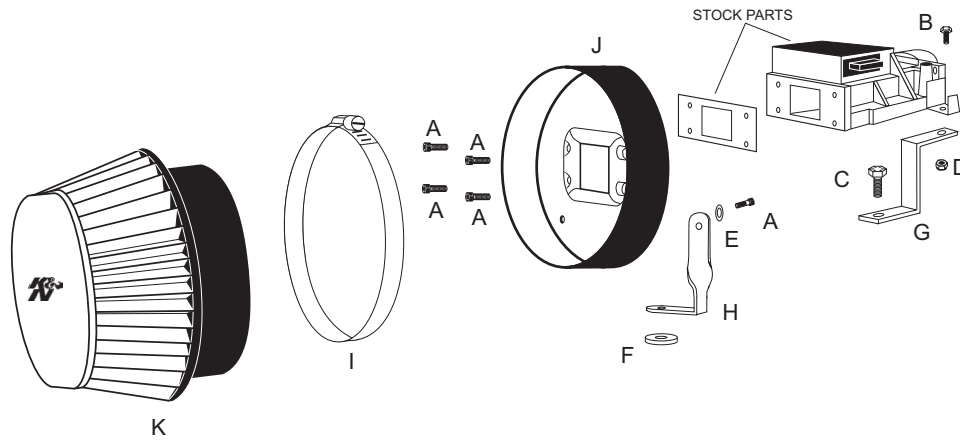
# FILTERCHARGER®

## INJECTION PERFORMANCE KIT

### INSTALLATION INSTRUCTIONS

## 57-2500

**Ford**  
**1991-95 Escort GT**  
**L4-1.8L**



#### PARTS LIST:

Desc.	Qty.	Part#
A 6mm-1.00 x 15mm allen bolt	5	07818
B 6mm-1.00 x 12mm hex bolt	1	07863
C 8mm-1.25 x 15mm hex bolt	1	07844
D 6mm nylock nut	1	07553
E 6mm wave washer	1	08174
F flat washer	1	08123
G "Z" bracket	1	07926
H twisted "L" bracket	1	07927
I size 104 hose clamp	1	08697
J die-cast filter adapter	1	08792
K Filtercharger® element	1	RF-1028

#### INSTALLATION

See the figure below for stock part locations.  
 See the exploded view for finished kit locations.

- 1) Disconnect the vehicle's negative battery cable.
- 2) Carefully remove the electrical plug at the mass-air sensor. (held in place by a small spring-wire clip) Move the wire out of harms way until re-assembly.
- 3) Loosen the intake tube where it connects to the mass-air sensor.
- 4) Unbolt the airbox assembly from the body. It is held in place with two bolts and one nut.
- 5) Carefully unclip the coil wire from the bracket at the rear of the mass-air sensor.
- 6) Carefully remove the airbox and mass-air sensor as a unit, by rotating the assembly slightly, so that the resonator tube disconnects from the airbox.
- 7) Remove the mass-air sensor from the airbox which is held by four nuts and one bolt.
- 8) Remove the studs that held the mass-air sensor to the airbox. If you thread two nuts on to the stud, and tighten them together, you can then thread the stud out with the bottom nut.
- 9) Install the adapter, with the stock gasket onto the mass-air sensor, using the allen bolts provided. (see fig. 1) Use a thread locking compound and do not over-tighten the bolts.
- 10) Install the twisted "L" bracket onto the adapter with the hardware provided. Do not tighten at this time. (see fig. 2)
- 11) Install the "Z" bracket on the small angle bracket that is connected at the back of the mass-air sensor. Do not tighten at this time. (see fig. 2)
- 12) Install the mass-air / adapter assembly into the intake tube. Do not tighten the hose clamp at this time.
- 13) The "L" bracket fits on the existing stud that held the airbox in place. (see fig. 3)
- 14) The "Z" bracket should line up with an unused hole left by the airbox. (see fig. 3)
- 15) Position the entire assembly for best clearance and tighten all remaining hardware.
- 16) Clip the coil wire back into the bracket on mass-air sensor and connect the electrical plug to the mass-air sensor.
- 17) Install K&N Filtercharger® onto adapter, do not over-tighten hose clamp!
- 18) Re-connect battery cable. Double check to make sure everything is tight and properly positioned before starting vehicle.
- 19) The C.A.R.B. exemption sticker, (attached) must be placed in a visible area under the hood, so that an emissions inspector can see it when the vehicle is required to be tested for emissions. California requires testing every two years, other states may vary.
- 20) It will be necessary for all FIPK's to be checked periodically for realignment, clearance and tightening of all connections. Failure to follow the above instructions or proper maintenance may void warranty.

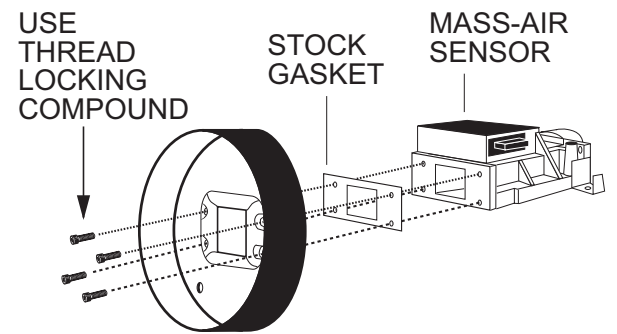


fig. 1

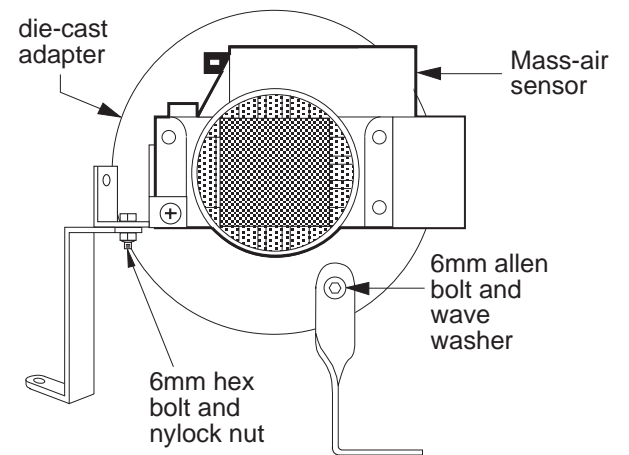


fig. 2

#### ROAD TESTING

Start the engine with the transmission in neutral or park, and the emergency brake on. Listen for any air leaks or odd noises. If there are air leaks, make sure the hose connections are secure. If there are any odd noises, check for the cause and repair before proceeding. The K&N Filtercharger® Injection Performance Kit will function identically to the factory air filter with the exception of being slightly louder than stock and much more responsive. If all preliminary checks are okay, then a road test is necessary. Listen carefully for rattling or other odd noises and fix as necessary. If the road test is fine, you can enjoy driving as normal with the added response and power. We suggest that the Filtercharger® element be checked periodically for dirt. This is now very easy due to the open element configuration. If the filter material is overly dirty, service it according to the instructions that are in the Recharger service kit, part number 99-5050 or 99-5000. If you have any questions or problems, inquire at your nearest K&N dealer, or direct to K&N Engineering at (909) 684-9762.

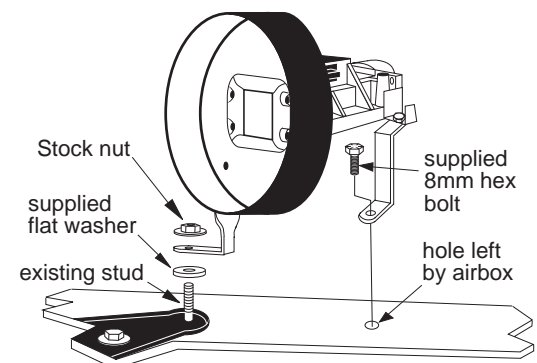
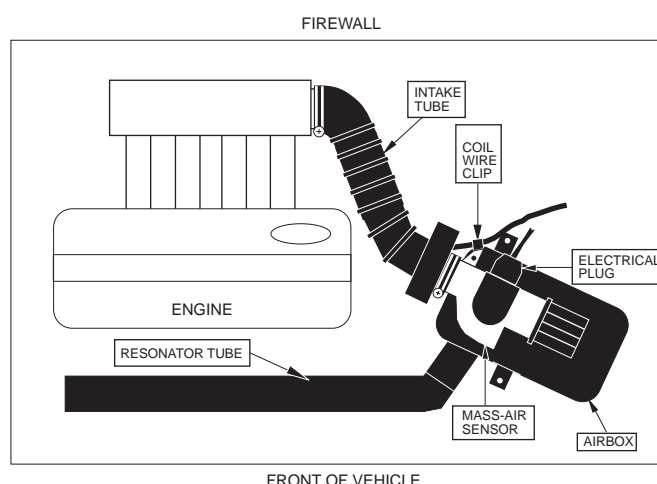


fig. 3

#### FORD ESCORT GT ENGINE COMPARTMENT



Refer to this diagram for the location of the various parts listed in the installation instructions.

**\*FREE K&N DECAL To register your warranty please see us online at [knfilters.com/register](http://knfilters.com/register). FREE K&N DECAL\***